



FLORA

S H A D I N G



product collection



about us

Since its establishment, Flora Shading has excelled in producing premium shading systems, serving globally with its energetic and innovative team. Inspired by the sun, we craft delightful, sustainable, and invigorating outdoor living environments for our clients.

Pioneering Technology and Innovation

At Flora Shading, we merge cutting-edge technology with creativity to fulfill our customers' unique demands. We continuously evolve based on their feedback and desires. Our success is rooted in our dedication to combining our extensive knowledge with active listening, attentively addressing all requests, and valuing the contributions of our entire team.

Dedication to Quality and Sustainability

We enable everyone to relish fresh air through our outdoor living solutions, including winter gardens and automatic shading systems. Our products enrich user experiences with versatile features such as integration with heating systems and remote control capabilities. By doubling our export volume annually and dedicating 60% of our production to exports, Flora Shading is expanding daily by helping its users bask in the sun.

Adherence to Standards and Certifications

Flora Shading upholds all its processes and management practices in line with national and international standards, constantly enhancing our quality. To optimize these processes, we produce in compliance with ISO 9001 certification and CE standards. We set a benchmark for those who wish to experience sustainable enjoyment and exciting spaces, making outdoor living in clean air appealing for everyone.

Our Philosophy

Flora Shading's success is driven by the synergy between our team and our clients. This close relationship shapes our achievements and inspires our continuous innovation. By combining our expertise with a commitment to understanding and meeting customer needs, we ensure our products and services surpass expectations.

Our Mission

Our mission is to transform outdoor spaces into functional and inspiring areas that bring joy and comfort. By incorporating the latest technologies and sustainable practices, we aim to elevate ordinary spaces into extraordinary environments where people can gather, unwind, and enjoy nature.



Discover the most stylish and convenient way to protect yourself from the sun with next-generation outdoor screens.



Home Automation
High level automation and easy adaption systems.



Sun Protection
The system allows light control for better quality indoor comfort.



Colors
Available in all RAL colors.



Fly Protection
Protection against dust and flies.



Energy Savings
Increases energy savings with system features.



Dimensions
One piece applicability up to 24 square meters.

ZIP SCREEN SYSTEMS

Versatile and Durable Zip Screens

Zip screens offer a durable zipper structure, stylish appearance, and impressive functionality, providing a vertical shading solution that can be easily opened and closed. These curtains offer protection from the sun, wind, pests, and rain spray, while also ensuring privacy.

Features and Applications

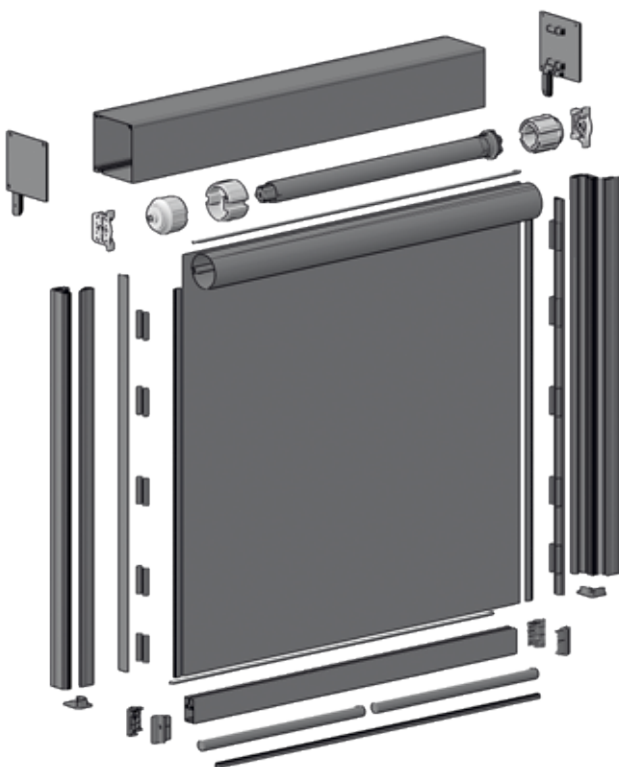
Zip screens provide long-lasting solutions for various usage scenarios, such as enclosing balconies, facades, or even glazing your home. With customizable transparency and color options, they can be tailored to fit seamlessly into your space. Businesses often prefer zip screens for their ability to display logos or images on the fabric.

Key Benefits

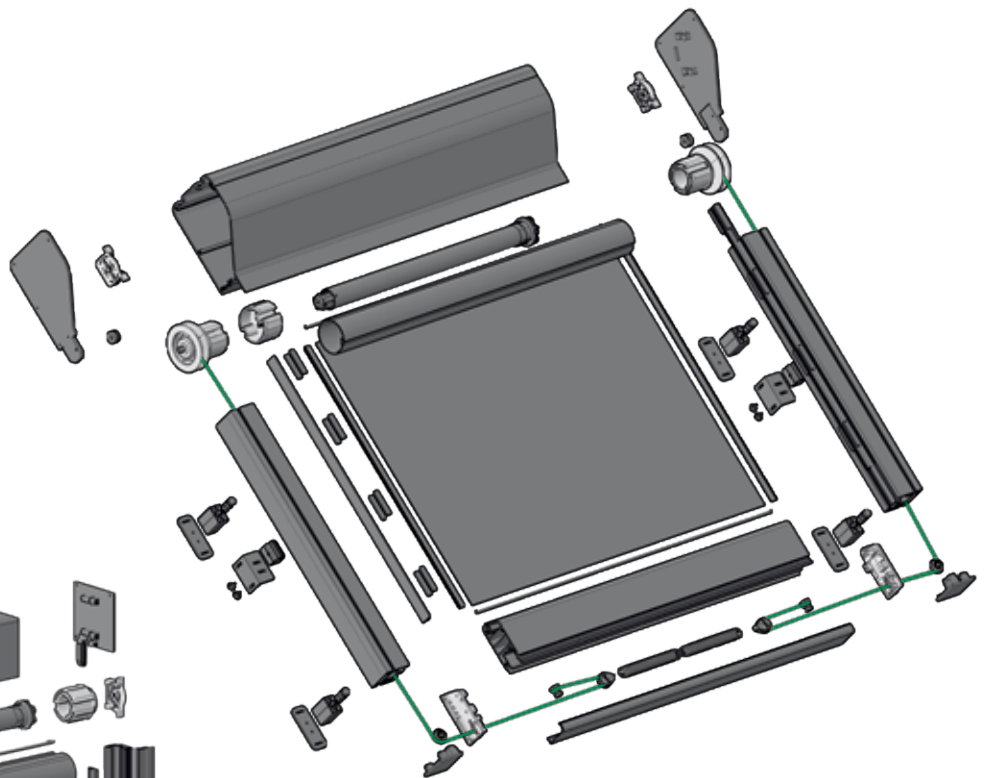
- Multi-functional: Protection from sun, wind, pests, and rain spray while providing privacy.
- Customizable: Choose fabric transparency and color to match your needs; options for printing logos or images.
- Durable: Long-lasting solutions for home glazing, balconies, and facade closures.
- Energy Efficient: Can operate using solar energy for an eco-friendly solution.

Flora Shading's zip screens combine practicality with style, offering a versatile and energy-efficient shading solution tailored to your specific requirements.

Horizontal Zip Screens



Vertical Zip Screens





We bring together aesthetic solutions tailored to your needs, combining light control and security.



Home Automation
High level automation and easy adaption systems.



Sun Protection
The system allows light control for better quality indoor comfort.



Colors
Available in all RAL colors.

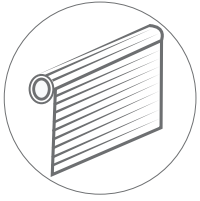


Safety
The system enhanced safety.



Energy Savings
Increases energy savings with system features.

ROLLER SHUTTER SYSTEMS



Roller Shutter Systems stand out with a robust stock capacity, a commitment to quality, and a diverse product range. Our shutters, adhering to superior quality standards, blend modern design with durability, ensuring a long-lasting use. The extensive product range offers a variety of color and material options, providing limitless possibilities for personalizing your spaces. Roller Shutter Systems, with quality products, and wide product range, supports your projects effectively.



Box Types

Roller Shutter Systems come in a variety of uses including Monoblock, Front Mounted, Garage Type, and High-Insulation Hidden Box models. Enhancing spaces with aesthetic designs and functionality, these systems make your surroundings unique. High-quality and stylish shutter solutions cater to every project's needs.

Slats Types

We offer a wide range of slat options manufactured using roll-form technology. Our high-quality polyurethane-filled slat options various color and pattern choices. Additionally, our extrusion slats, prioritizing durability and safety, contribute to the diversity of our product range.



Tube Motor and Automation



Different brands of motor, control, and automation products provide solutions with high quality, long-lasting durability, and smart home automation features.



We offer an unforgettable atmosphere to your living spaces
by combining comfort and aesthetics.



Home Automation
High level automation and
easy adaption systems.



Sun Protection
The system allows
light control for better
quality indoor comfort.

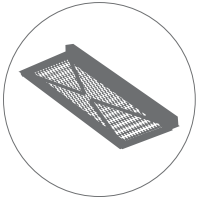


Colors
Available in all RAL
colors.



Energy Savings
Increases energy
savings with system
features.

AWNING SYSTEMS



Awning Systems offer practical solutions designed to create a comfortable and functional living space in outdoor environments. Used to protect against the harmful effects of the sun, provide a cool shade, and enhance outdoor activities, awnings with their aesthetic designs visually enrich spaces. With durable materials and user-friendly features, awning systems make outdoor areas more enjoyable and practical.

Cassette Awning



Introducing cassette awning systems, offering exceptional versatility for wide openings. The awning fabric is protected within the cassette, safeguarding it from dirt and weather conditions. With the ability to utilize different fabric types, this system not only provides an aesthetic shading area but also allows for the integration of LED lighting. Cassette awning systems seamlessly blend functionality and elegance, transforming outdoor spaces into comfortable and aesthetically pleasing environments.

Wintent systems provide high-level shading with their articulated working principle. The awning fabric, protected within the cassette, ensures durability against external factors. Creating an aesthetic and nostalgic shading space, Ferrini window awning systems offer an elegant design and powerful performance, providing an exclusive, comfortable, and stylish atmosphere for outdoor spaces.

Window Awning (Wintent)



Articulated Awning



Articulated Awnings stand out with their economical and functional designs. With both manual and motorized operation options, they offer practical usability. Serving as an ideal solution for businesses, these awnings attract attention with both their aesthetic appearance and user-friendly features.



Redefine your living spaces with a design that integrates with nature and smart climate control, customizing your comfort.



Home Automation
High level automation and easy adaption systems.



Sun Protection
The system allows light control for better quality indoor comfort.



Colors
Available in all RAL colors.



Integration
The system allows integration other products.



Energy Savings
Increases energy savings with system features.

BIOCLIMATIC & WINTER GARDEN SYSTEMS



Winter Garden Systems combine quality, high insulation, light control, and aesthetics to offer exclusive all four seasons living spaces that can be enjoyed throughout

Bioclimatic Pergolas



Scissors are manufactured from 10 mm aluminum material in accordance with high strength. Thanks to the waterproof bearings used in the scissors, the smooth and comfortable operation of the system is ensured, while oxidation and mechanical problems caused by adverse weather conditions over time are prevented. Thanks to its strong scissor structure, it maintains its first day working capability for many years.

Veranda is a robust pergola system featuring glass panels that shield the ceiling from rain, wind, and other external elements. Designed for year-round use, it is perfect for homes, offices, and any location where you seek reliable outdoor protection.

With an integrated gutter system, veranda efficiently channels rainwater away, ensuring that heavy downpours do not disrupt your outdoor enjoyment. For superior thermal insulation, especially in winter gardens, you can opt for the insulated model. Enhance your veranda with optional LED lighting for added ambiance.

Winter Garden



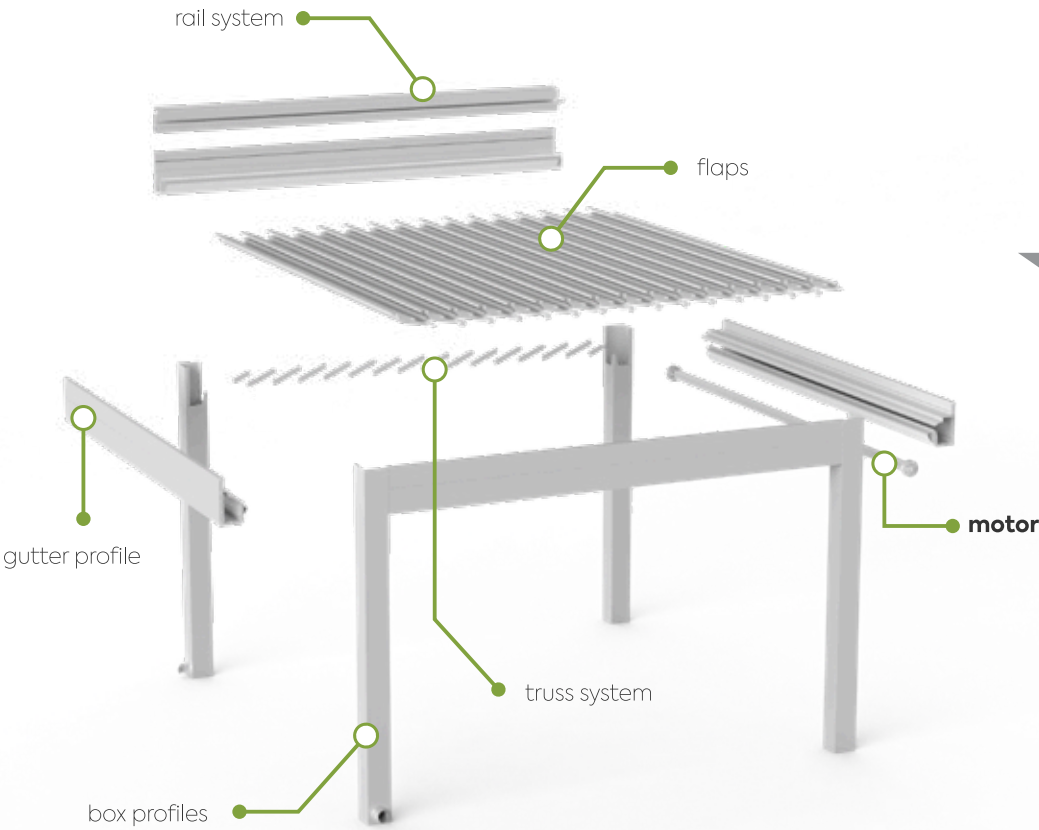
Retractable Pergola



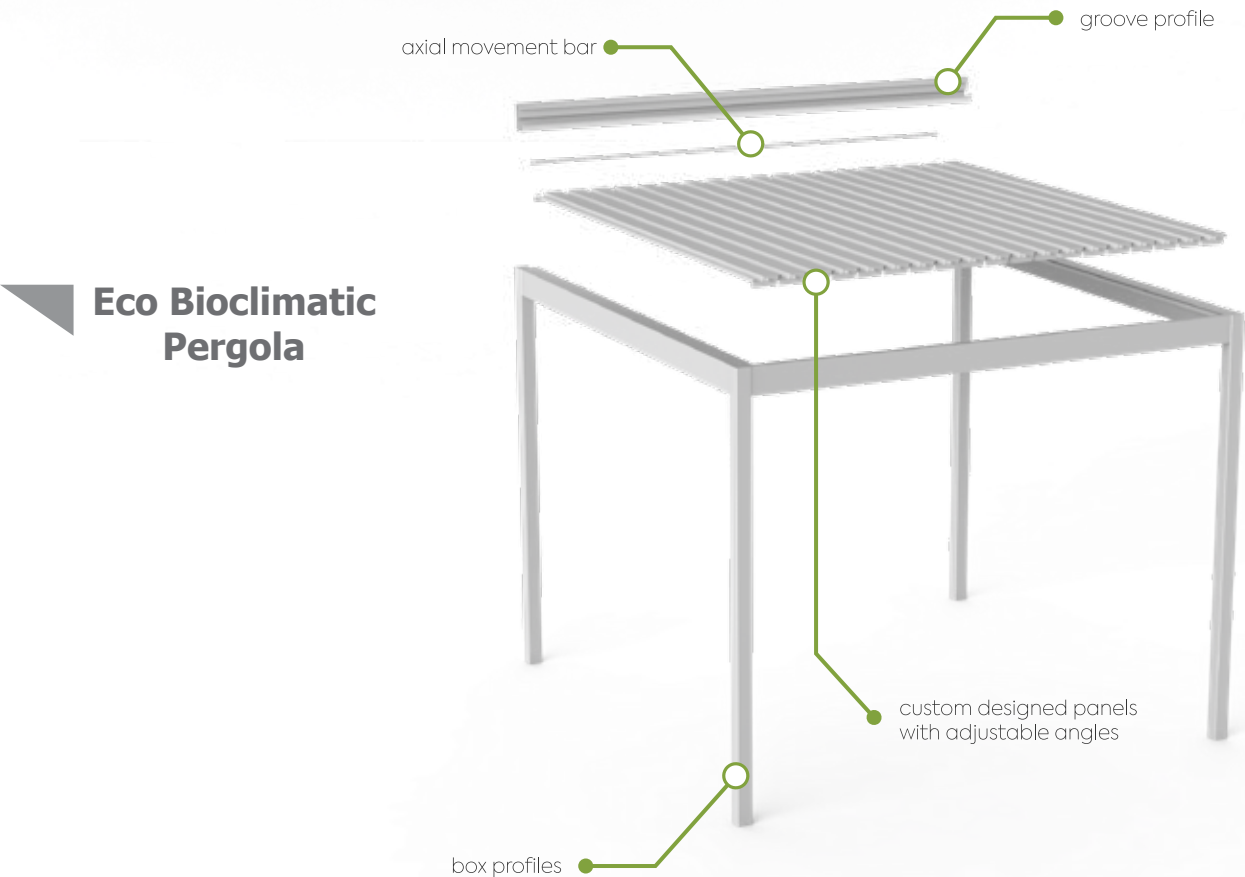
True to their name, these pergolas can be extended and retracted as needed, offering protection against adverse weather conditions.

The system operates with a unique tensioner and transmission mechanism, making it ideal for outdoor settings. Constructed from high-quality fabric, our retractable pergolas not only provide excellent sun protection but also contribute to energy savings. Additionally, the built-in LED lighting adds a touch of elegance and enhances user comfort.

BIOCLIMATIC MODELS



Pro Bioclimatic Pergola



Eco Bioclimatic Pergola



Your balconies and terraces will become your favorite places with our glass and guillotine systems.



Home Automation
High level automation and easy adaption systems.



Heat and Dust
The system provide heat, dust and water insulation.



Colors
Available in all RAL colors.



Silent
High level of sound insulation.

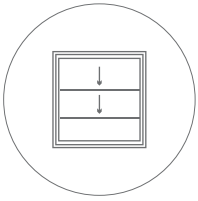


Energy Savings
Increases energy savings with system features.



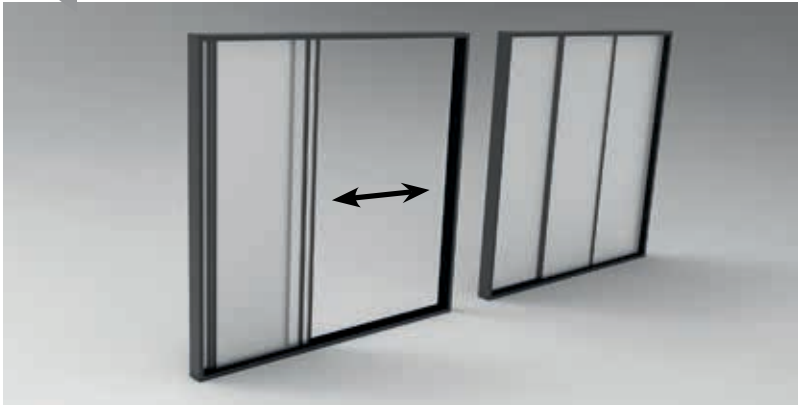
Easy Clean
The system allows easy and quick cleaning.

SLIDING GLASS & GUILLOTINE SYSTEMS



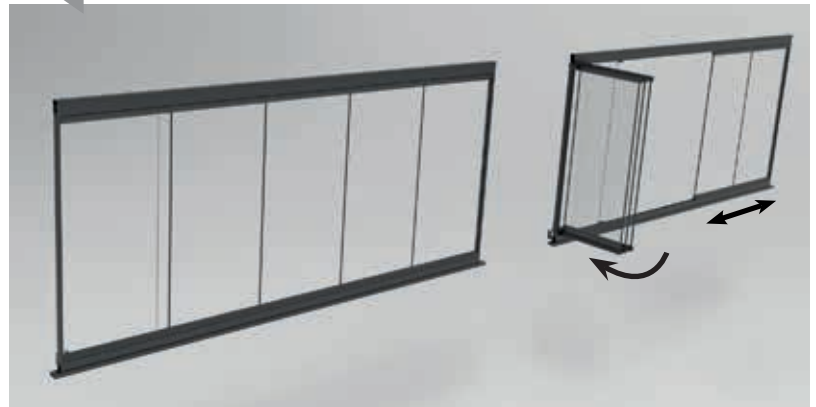
With its custom-produced glasses, provides high insulation and uninterrupted panoramic views. It adds functional touches to your living space with its folding, sliding, and guillotine systems.

Sliding Glass Systems



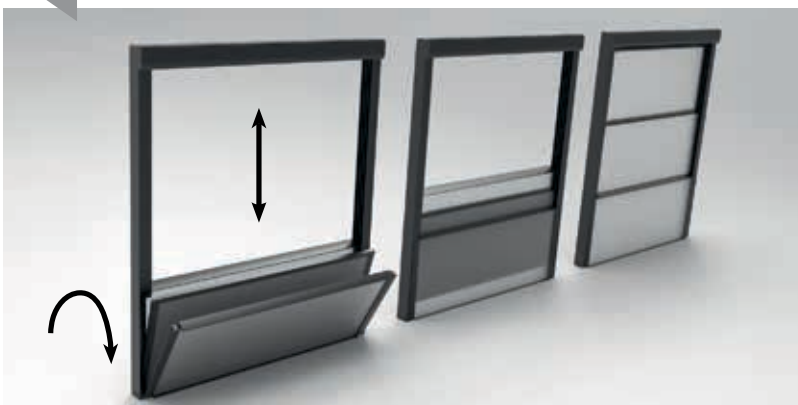
It elevates the standards of sliding glass systems. Sliding glass systems have been revamped with a focus on insulation, comfort, and aesthetics. It transforms your balconies, winter gardens, and restaurants into unique living spaces.

Sliding and Folding Glass Systems



To transform your balcony into a new living space you can benefit from Folding Glass Systems, featuring either optimum insulation or high insulation solutions. They protect the applied areas against wind, rain, and noise. Glass panels can be gathered to the right, to the left, or separately to both sides.

Guillotine Window



Guillotine systems, offering a new generation approach to glass cladding, create additional usability with their superior technology and functional features in the field. They make outdoor spaces more livable and attractive.



Enhance your home with a nostalgic charm while simultaneously shielding yourself from the sun's rays.



Sun Protection
The system allows light control for better quality indoor comfort.



Colors
Available in all RAL colors.

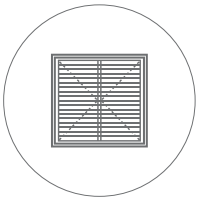


Safety
The system enhanced safety.



Energy Savings
Increases energy savings with system features.

SHUTTER SYSTEMS



Shutter Systems, with its nostalgic and aesthetic design, easy-to-operate mechanical accessories, various color options in aluminum and PVC, and compatibility with all types of joinery, are a preferred choice. Our shutters, offering flexible use with foldable and open-close options, provide personalized solutions for your style.



Aluminium Shutter Systems



Aesthetic and durable aluminum shutters provide compatibility with your style through various color options, easy operation, security, and flexible design.

PVC Shutter Systems

Economical and lightweight PVC shutters offer a comfortable solution with color options, thermal and sound insulation, practical usage, and durability.



FLORA

S H A D I N G



/ florashading



Ferhatpaşa Mah. Aytaşı Sok.
No:95 Ataşehir / İstanbul / TÜRKİYE

contact@florashading.com

+90 544 512 21 91